

# ADALIT

## PROFESSIONAL SAFETY TORCHES



# L-30



### La rivoluzionaria torcia da casco ADALIT L-30

Più leggera, più piccola e più potente di quella precedente, la torcia ricaricabile da casco L-30 è lo strumento di lavoro indispensabile per il Vigile del Fuoco. Incorpora un sistema a doppio fascio luminoso simultaneo con illuminazione frontale e sull'area di passo, e due LED rossi posteriori di posizionamento che la rendono la lampada più completa e sicura del mercato. Certificata ATEX zona 0/20 per uso in atmosfere potenzialmente esplosive.



ATEX: II 1G Ex ia IIC T4 Ga  
 II 1D Ex ia IIIC T135°C Da  
 ZONE GAS 0 | 1 | 2  
 ZONE POLVERI 20 | 21 | 22

Grado di protezione: IP68

Peso: 165g (batteria inclusa)

Dimensioni (L x l x a): 135x43x55 mm

Autonomia: Modo normale > 3 h  
 Modo risparmio energetico > 12 h

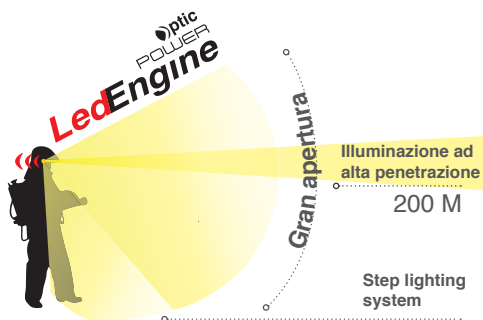
Materiale corpo lampada: resina termoplastica con alta resistenza agli impatti, alle temperature e alle sostanze corrosive

Sorgente luminosa: 350 lumens e 10.000 candele

Interuttore On/Off: pulsante tipo "soft touch" posizionato nella parte posteriore per una facile attivazione con l'uso di guanti

Caricatori per 1,2,3,4 o 5 lampade. Compatibile con i caricatori della Adalit L-10

- Specchio ottico **LedEngine Power**, con un potente fascio di luce concentrato ad alta penetrazione nel fumo
- **RED LED**: 2 LED rossi posteriori di posizionamento
- **Step Lighting System**: fascio di luce direttamente orientato al suolo per illuminare il cammino
- Funzione **BOOSTER**
- Bande rifrangenti
- Indicazione autonomia e stato della carica
- Avviso di batteria scarica
- Include adattatore casco VVF integrato



[www.adalit.com](http://www.adalit.com)

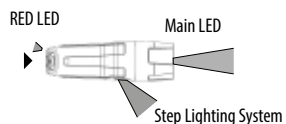
**ADALIT**  
 Illuminazione Intelligente

Attenzione al cliente  
 Tel.: +34 985 347 806  
 Fax: +34 985 358 378  
 info@adalit.com



**1. Functions**

- Normal mode  
**First click** | All LEDs On: main, step light and rear.



When switching On the torch, the step light blinks. Every blink indicates approximately one hour of autonomy:  
 3 blinks= between 2 and 3 hours.  
 2 blinks= between 1 and 2 hours.  
 1 blink= less than 1 hour.

Low Battery Warning: blinking signal of the LEDs 15 minutes before running out of battery.

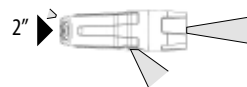
**Second click** | Turns Off the step light. Booster mode activated.



**Third click** | Turns Off the torch.



**Hold the button 2"**  
 - Saving mode.



It activates the saving mode, multiplying the autonomy by 4, with a lower light intensity. This mode turns Off when switching Off the torch or put to charge.

**Press twice the button**



With the torch switched Off, by clicking rapidly the button twice, we deactivate the main light function, remaining switched On the step light and the RED LEDs.

**2. Charging system**

By inserting the flashlight into the charger, the factory default configuration of 3 hours of full-load autonomy is restored in the event that the flashlight has been introduced in another operating mode.  
 Maximum charging time:  
 Single charger 100/240 V: 3.5 h  
 Single charger 12 V and 24 V: 6.5 h  
 Multiple charger: 6.5 h

**3. Helmet attachment system**  
 Slide the disc integrated in the torch housing into the helmet slot to the end, leaving the flashlight firmly attached.

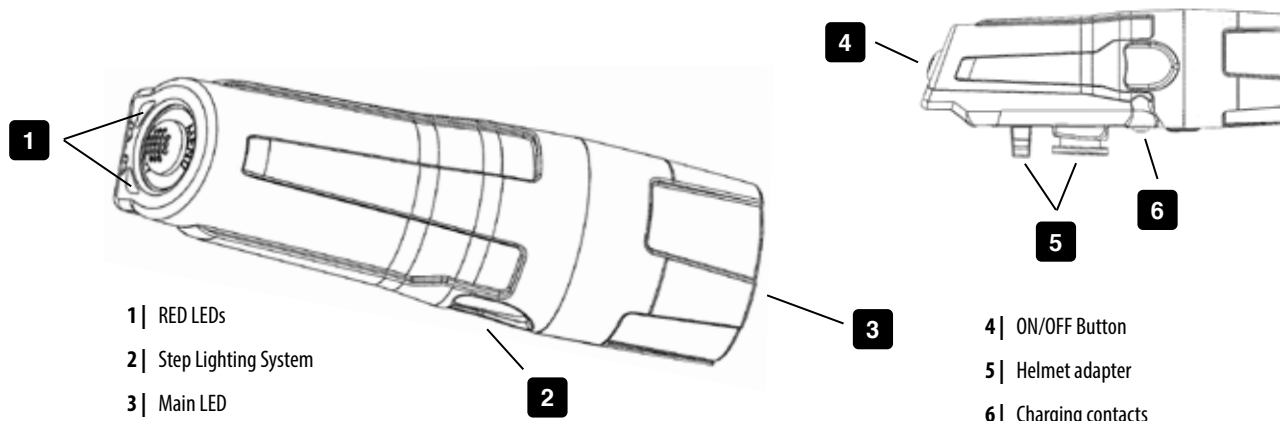
**4. Maintenance and handling**  
 Clean exclusively with domestic detergent or soap diluted in warm water applied with a soft cloth. IN ORDER TO GET THE MAXIMUM PERFORMANCE AND LIFE SPAN OF THE BATTERY, A COMPLETE DISCHARGE/CHARGE CYCLE SHOULD BE DONE AT LEAST ONCE PER MONTH.

**5. Warranty**  
 The ADALIT L-30 torch has a 2 years warranty against any manufacturing defect under normal conditions of use and in accordance with the present instructions. It does not include the battery which is guaranteed for 1 year.

**6. Torch specifications**

STANDARD	
ATEX MARKING (1) / IECEx	
INGRESS PROTECTION	IP68
FUNCTIONAL FEATURES	
WEIGHT	165 g
MEASURES (LxWxH)	135x43x55 mm
AUTONOMY	Normal Mode: >3 h Saving Mode: >12 h
STEP LIGHTING SYSTEM	White LED located at the bottom of the torch
RED LED	Flashing red LEDs at the rear
BATTERY LEVEL INDICATION	Blinking of the step light when turning On the torch
LOW BATTERY WARNING	LEDs flashing every 15 seconds for the last 15 minutes of battery
LIGHTING SOURCES	
TYPE	Power LEDs
BATTERY	
TYPE	Li-ion
VOLTAGE	3,7V
POWER	9 Wh
TEMPERATURE RANGE	-20° C < ta < + 40° C

CHARGERS FEATURES	
MARKING	CE
DISCONNECTION AT THE END OF THE CHARGE	Automatic
CHARGE INDICATION	Red LED: charging Green LED: charged
SINGLE CHARGER	110/240 V or 12 V and 24 V
MULTIPLE CHARGER FOR 2, 3, 4 OR 5 TORCHES	110/240 V and 12 V or 24 V



- 1 | RED LEDs
- 2 | Step Lighting System
- 3 | Main LED

- 4 | ON/OFF Button
- 5 | Helmet adapter
- 6 | Charging contacts

SPARE PARTS / RICAMBI CZĘŚCI ZAPASOWE / NÁHRADNÍ DÍLY					
L30.600 Battery	L30.100 Bezel	L30.200 Optic	L30.40 Torch holder	L30.520 Circuit board	L30.420 Body
1 x L30.60	1 x L30.10	1 x L30.20	1 x L30.4	1 x L30.52	1 x L30.42
1 x L30.55	1 x L30.55	1 x L30.55	2 x CLC.150	2 x CLC.150	2 x CLC.150
	1 x L30.15	1 x L30.54	2 x LD.13	2 x LD.13	2 x LD.13
				1 x L30.55	1 x L30.55
				1 x L30.54	1 x L30.54

**i** **!**

Your ADALIT product is designed and manufactured with high quality materials and components which can be recycled and/or reused. This symbol means that batteries and accumulators, at their end of life, should be disposed of separately from your household waste. In compliance with current directives, the battery and accumulators of the product(s) described in this manual do not exceed in any case the following concentration: Hg: Mercury (0.0005%) Cd: cadmium (0.002%) Pb: Lead (0.004%) In the European Union there are separate collection systems for used batteries and accumulators. Please, dispose of batteries and accumulators correctly at your local community waste collection/recycling centre. Please, help us to conserve the environment we live in!

**www** **!**

Declaration of conformity available at [adalit.com](http://adalit.com)  
 Dichiarazione di Conformità disponibile sul sito [adalit.com](http://adalit.com)  
 Deklaracja zgodności dostępna na [adalit.com](http://adalit.com)  
 Prohlášení o shodě je k dispozici na [adalit.com](http://adalit.com)



**MARKING**  
 LOM 20ATEX1048X<sup>(1)</sup>  
 IECEx LOM20.0004X  
 II 1G Ex ia IIC T4 Ga  
 II 1D Ex ia IIIC T135 °C Da  
<sup>(1)</sup> The risk of mechanical danger has been classified as low. Charging can only be done in a safe area and with the charger supplied by the manufacturer.

**!** Warning: LED radiation RG-2. Do not look directly to light beam, it may damage your eyes / Attenzione: Radiazione LED RG-2. Non guardare direttamente il fascio di luce, potrebbe danneggiare la vista / Uwaga: Promieniowanie LED RG-2. Nie patrzeć bezpośrednio w strumień światła, ponieważ może to prowadzić do uszkodzenia wzroku / Varování: LED záření RG-2. Nedívejte se přímo do světelného paprsku, mohlo by dojít k poškození zraku

www.adalnit.com