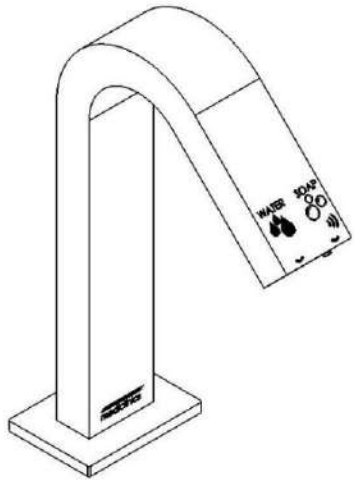


*Hand Dryer*  
**M092A**



*Tap and soap dispenser*  
**GAJ002AC**

**LOCATION**

*The Wash & Dry hand dryers from Mediclinics are supplied with 1300mm hose, then the 'motor unit' must be placed within the hose length to the 'air unit'.*

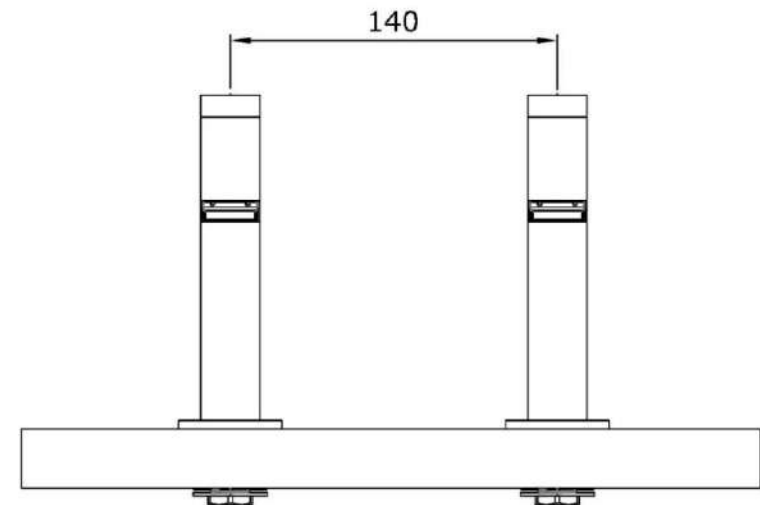
**BASIN/DECK**

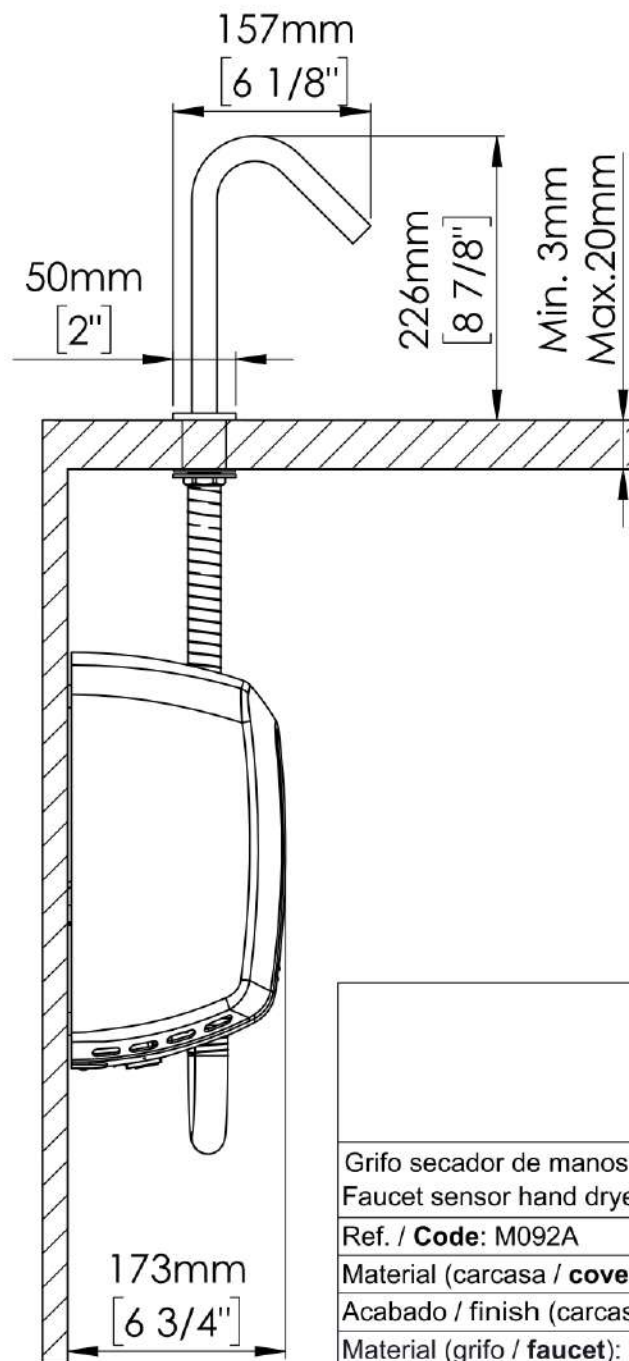
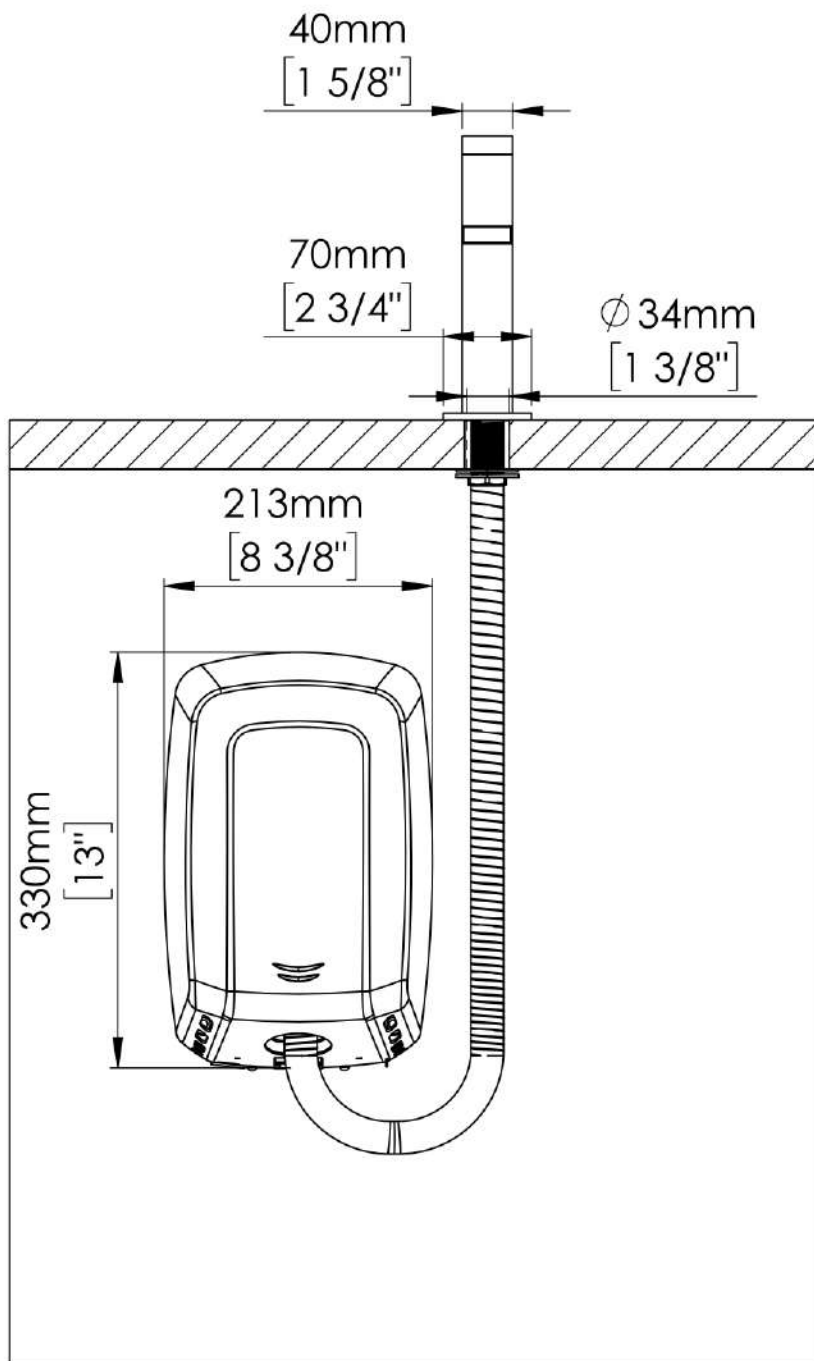
*The used basin or deck shall admit a hand dryer installation according to the present installation manual.*

*The basin/deck must have a minimum depth of 120mm, vertical walls and not so rounded edges in order to avoid splashes.*

**SPACING**

*The spacing to the water faucet must be at least 140mm.*





Grifo secador de manos  
Faucet sensor hand dryer

Ref. / Code: M092A

Material (carcasa / cover): acero inox. / stainless steel

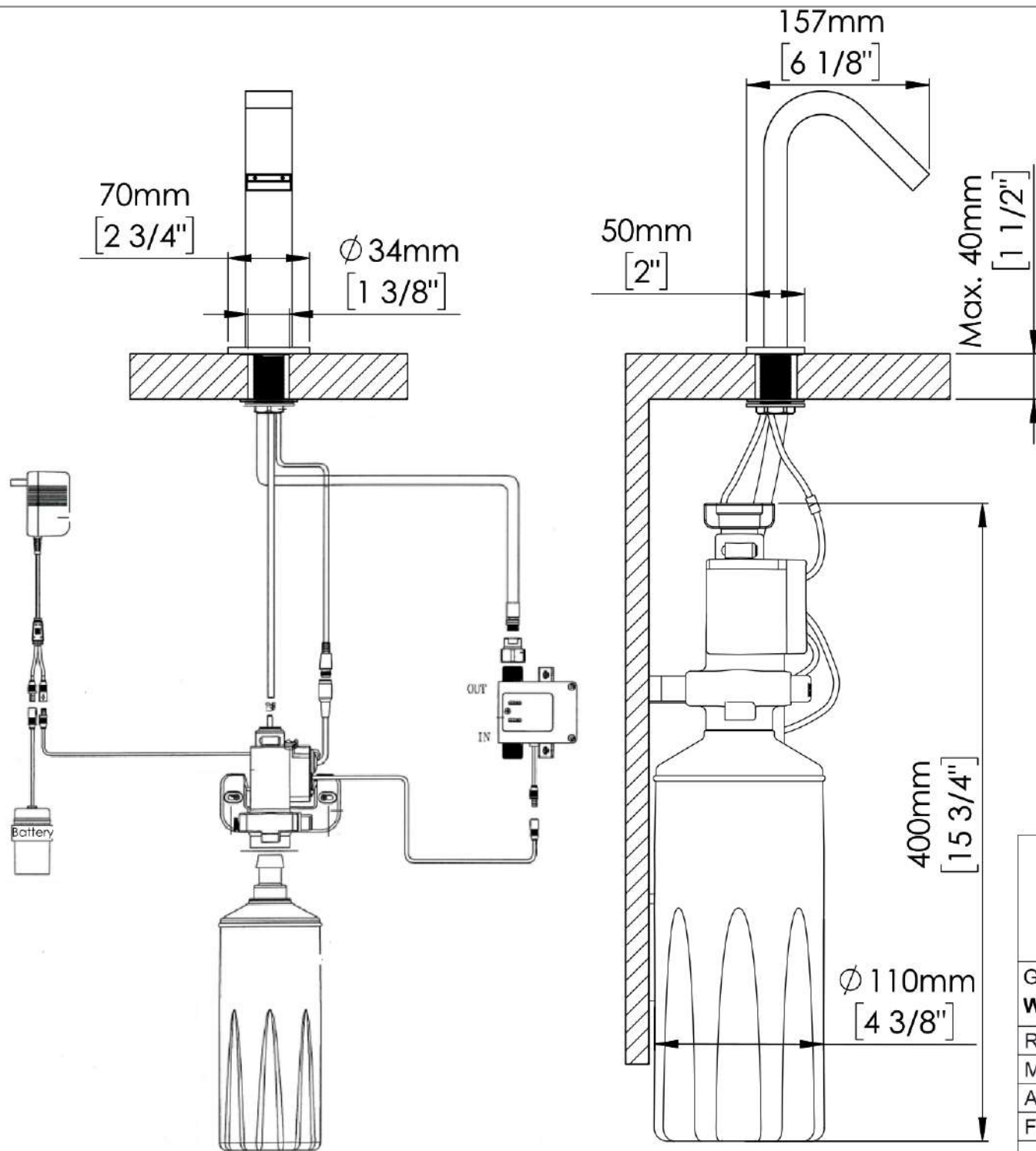
Acabado / finish (carcasa / cover): satinado / satin

Material (grifo / faucet): latón cromado / chrome-plated brass

Acabado / finish (grifo / faucet): brillante / bright

Fecha / Date: 23/10/2019





Dimensiones/**Dimensions.** ±4%

Grifo dispensador de agua y jabón  
**Water and soap dispenser faucet**

Ref. GAJ002AC

Material: latón cromado / **chrome-plated brass**

Acabado / **finish:** brillante / **bright**

Fecha / **Date:** 24/10/2019

