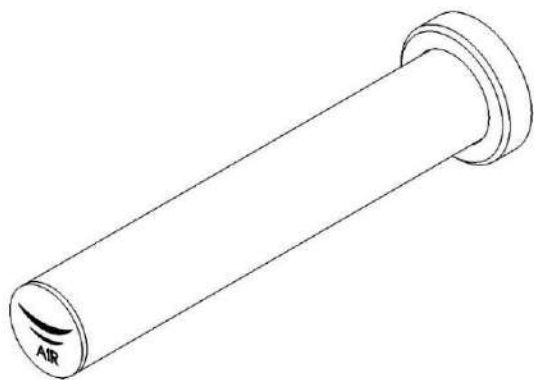
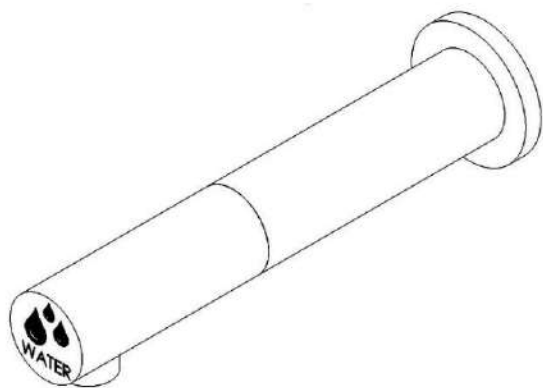


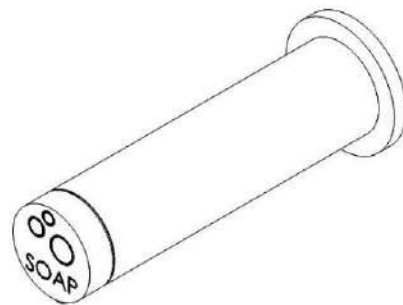
BOX CONTENT



Hand Dryer
M093A



Tap
GA003AC



Doap dispenser
DJ003AC

PRIOR TO INSTALLATION

LOCATION

The Wash & Dry hand dryers from Mediclinics are supplied with 1300mm hose, then the 'motor unit' must be placed within the hose length to the 'air unit'.

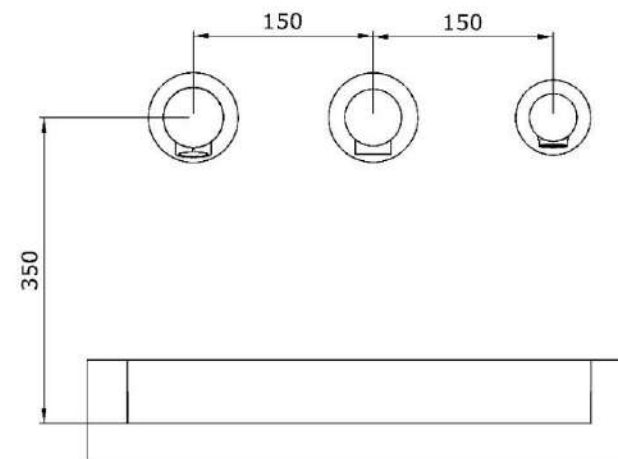
BASIN/DECK

The used basin or deck shall admit a hand dryer installation according to the present installation manual.

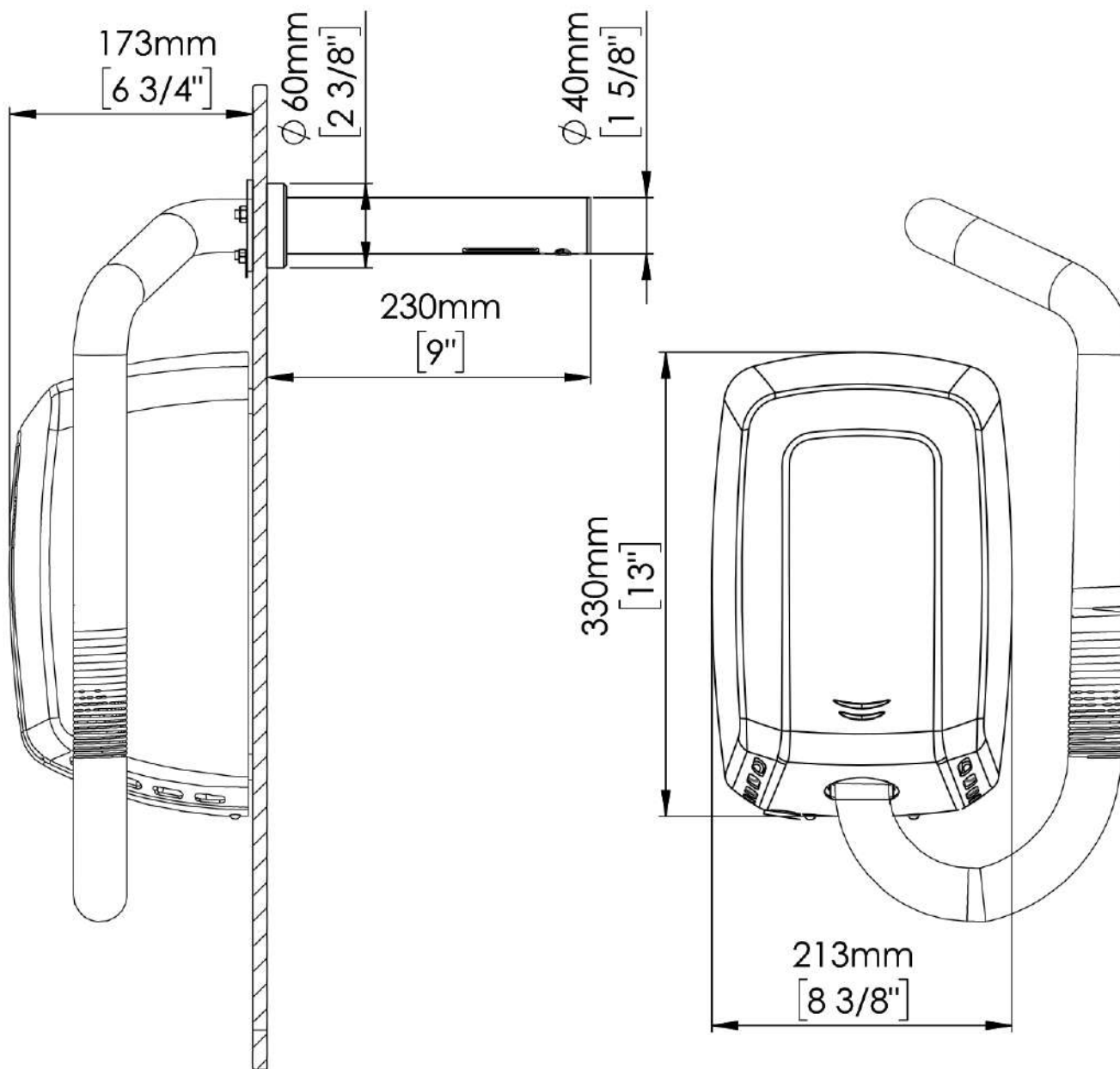
The basin/deck must have a minimum depth of 120mm, vertical walls and not so rounded edges in order to avoid splashes.

SPACING

The spacing to the water faucet must be at least 150mm and has to be installed at least 120mm above the bottom of the basin.



NOTE: The boxes include the assembly and installation manual and the screw bag



Grifo secador de manos

Faucet sensor hand dryer

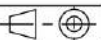
Ref. / Code: M093A

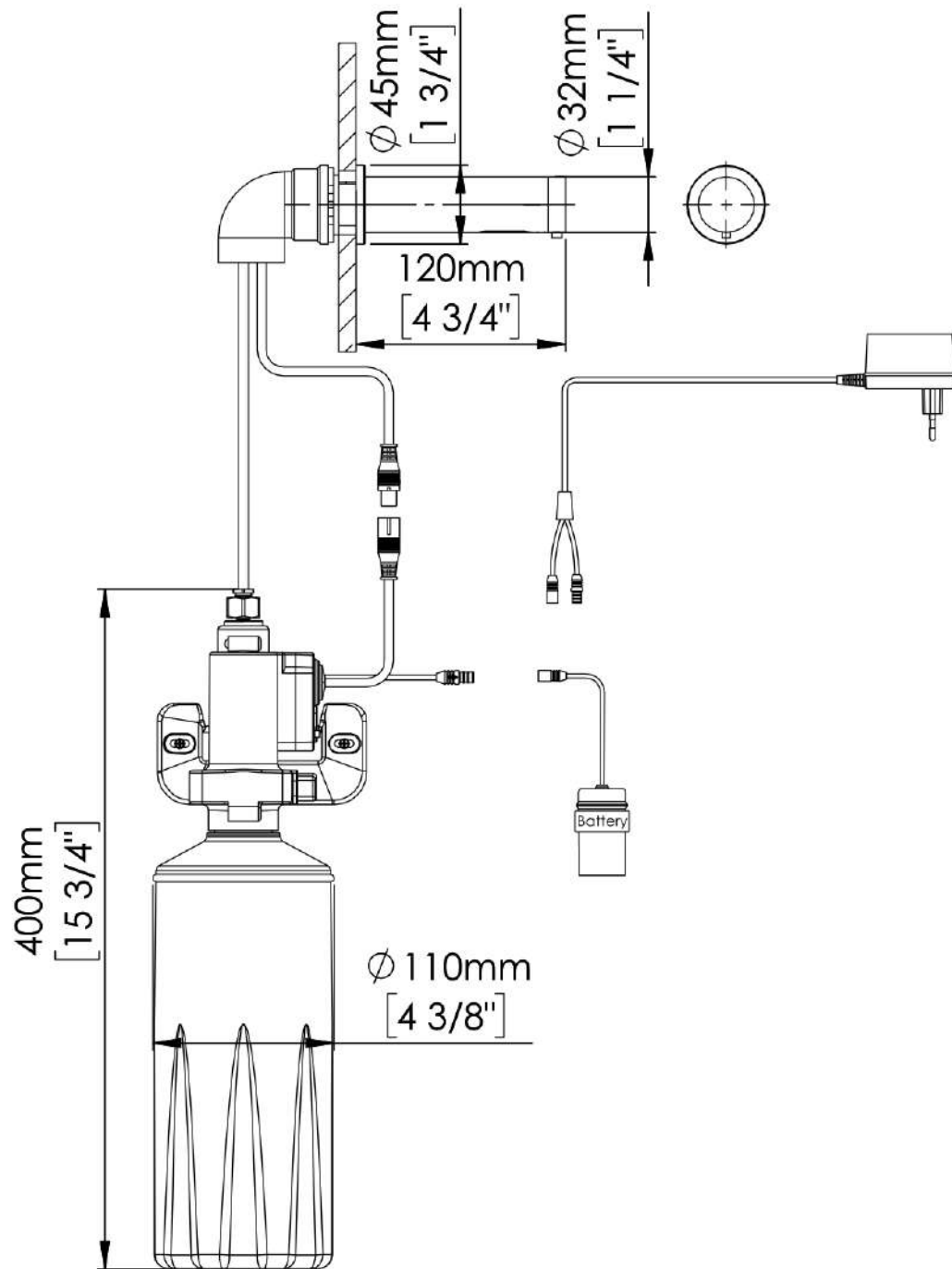
Material : acero inox / **stainless steel**

Acabado / finish (carcasa / cover): satinada / satin

Acabado / finish (grifo / faucet): brillante / bright

Fecha / **Date:** 23/10/2019





Grifo dispensador de jabón

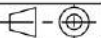
Soap dispenser tap

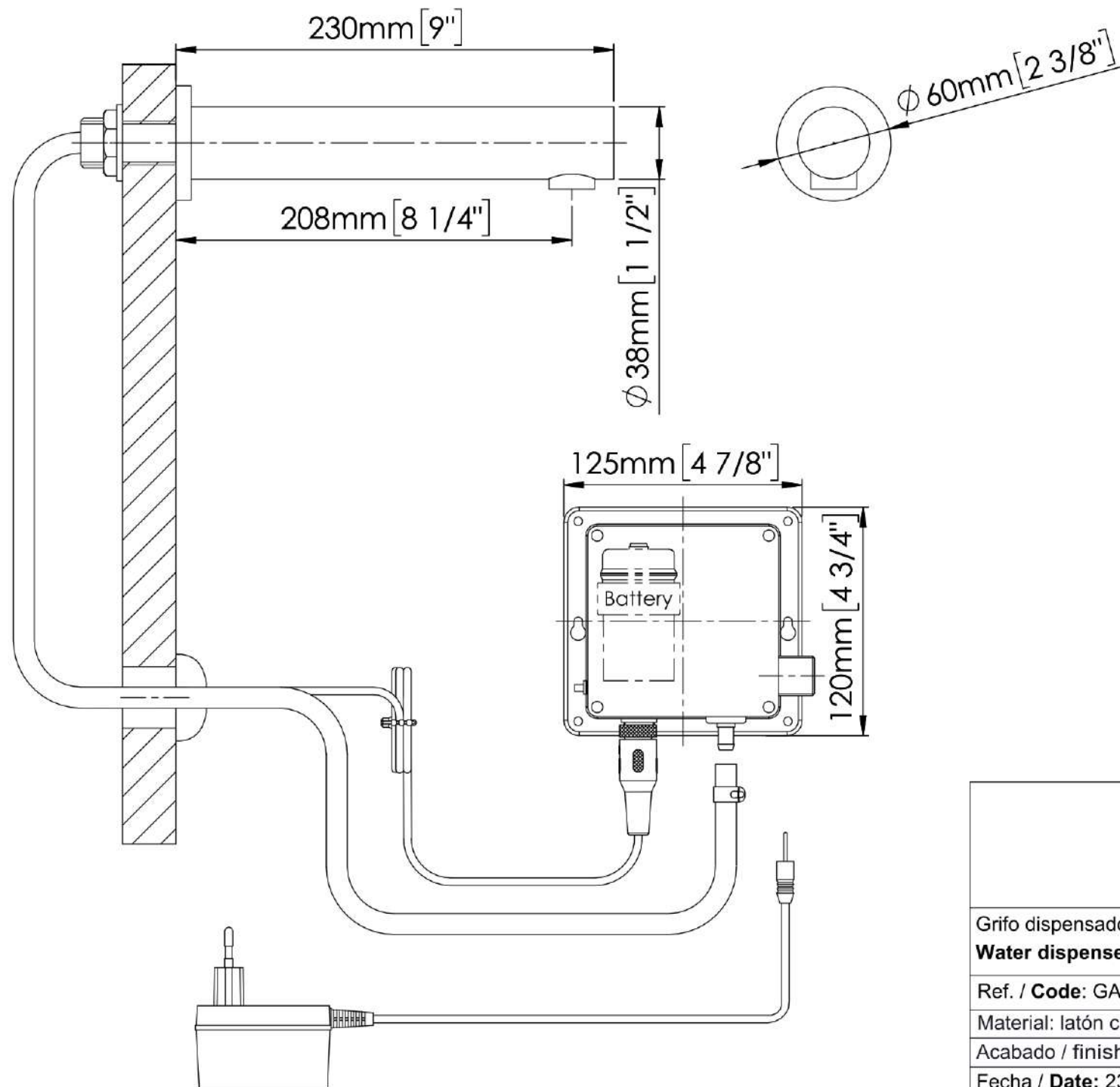
Ref. / **Code:** DJ003AC

Material: latón cromado / **Chrome-plated brass**

Acabado / finish : brillante / bright

Fecha / **Date:** 23/10/2019





Grifo dispensador de agua

Water dispenser tap

Ref. / **Code:** GA003AC

Material: latón cromado / **Chrome-plated brass**

Acabado / finish : brillante / bright

Fecha / **Date:** 23/10/2019

